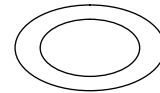
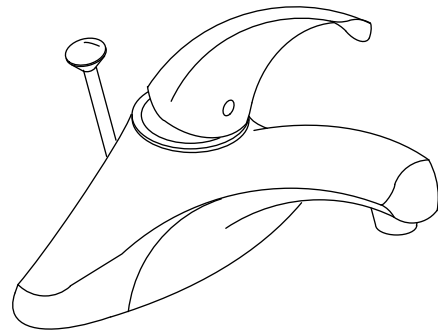


**CENTERSET BATHROOM SINK
FAUCET
K-15182
ALSO K-P15182**

Features

- Metal construction
- One-piece, self-contained ceramic disc valve allows both volume and temperature control
- Temperature memory allows faucet to be turned on and off at any temperature setting
- High-temperature limit setting for added safety
- Stationary spout
- Available with flexible connections or ground joints
- Available with red/blue indexing
- 4-1/4" (108 mm) stationary spout reach
- Available with a metal or plastic pop-up drain
- Available in quantities of six [K-P15682]
- 1.5 gallons (5.7 liters) per minute maximum flow rate

ADA **CSA B651** **OBC**



Codes/Standards Applicable

Specified model meets or exceeds the following at date of manufacture:

- ADA
- ICC/ANSI A117.1
- CSA B651
- OBC
- ASME A112.18.1/CSA B125.1
- NSF 61
- EPA WaterSense®
- All applicable US Federal and State material regulations

Colors/Finishes

- CP: Polished Chrome
- Other: Refer to Price Book for additional colors/finishes

Specified Model

| Model | Description | Colors/Finishes | |
|-------------|---|-----------------------------|--------------------------------|
| | | <input type="checkbox"/> CP | <input type="checkbox"/> Other |
| K-15182-F | Centerset bathroom sink faucet – flexible connections, metal drain | <input type="checkbox"/> CP | <input type="checkbox"/> Other |
| K-15182-P | Centerset bathroom sink faucet – ground joints, metal drain | <input type="checkbox"/> CP | <input type="checkbox"/> Other |
| K-15182-XF | Centerset bathroom sink faucet – flexible connections, red/blue indexing, metal drain | <input type="checkbox"/> CP | |
| K-15182-XP | Centerset bathroom sink faucet – ground joints, red/blue indexing, metal drain | <input type="checkbox"/> CP | |
| K-P15182-F | Centerset bathroom sink faucet – quantity 6 – flexible connections, metal drain | <input type="checkbox"/> CP | <input type="checkbox"/> Other |
| K-P15182-FD | Centerset bathroom sink faucet – quantity 6 – flexible connections, plastic drain | <input type="checkbox"/> CP | <input type="checkbox"/> Other |
| K-P15182-P | Centerset bathroom sink faucet – quantity 6 – ground joints, metal drain | <input type="checkbox"/> CP | <input type="checkbox"/> Other |

Product Specification

The single-control centerset bathroom sink faucet shall be of metal construction. Product shall have a maximum flow rate of 1.5 gallons (5.7 L) per minute. Product shall feature a one-piece, self-contained ceramic disc valve which allows both volume and temperature control. Product shall feature temperature memory, which allows the faucet to be turned on and off at any temperature setting. Product shall include a 4-1/4" (108 mm) stationary spout reach, and high-temperature limit setting for added safety. Product shall be available with flexible connections or ground joints and be available with red/blue indexing. Product shall be available with a metal or plastic pop-up drain and be available in quantities of six [K-P15682]. Product shall be for 4" (102 mm) centers. Faucet shall be Kohler Model K-15182-____-____ or K-P15182-____-____.

CORALAIS®

| | | | |
|--------------|--|-----------------------------|--------------------------------|
| K-P15182-PD | Centerset bathroom sink faucet – quantity 6 – ground joints, plastic drain | <input type="checkbox"/> CP | <input type="checkbox"/> Other |
| K-P15182-XF | Centerset bathroom sink faucet – quantity 6 – flexible connections, red/blue indexing, metal drain | <input type="checkbox"/> CP | |
| K-P15182-XFD | Centerset bathroom sink faucet – quantity 6 – flexible connections, red/blue indexing, plastic drain | <input type="checkbox"/> CP | |
| K-P15182-XP | Centerset bathroom sink faucet – quantity 6 – ground joints, red/blue indexing, metal drain | <input type="checkbox"/> CP | |
| K-P15182-XPD | Centerset bathroom sink faucet – quantity 6 – ground joints, red/blue indexing, plastic drain | <input type="checkbox"/> CP | |

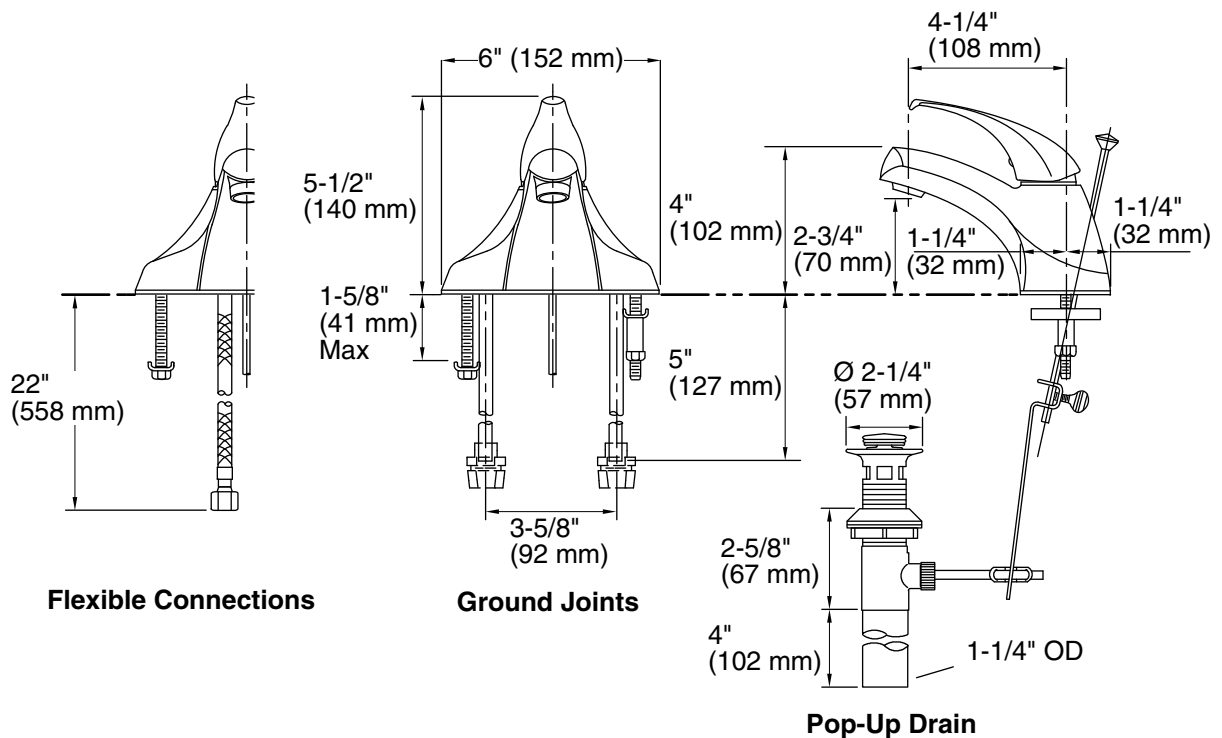
Optional Accessories

| | | |
|---------|---|-----------------------------|
| 1160594 | Large Spray 0.35 gpm (1.32 lpm) – Insert only | <input type="checkbox"/> NA |
| _____ | Additional flow options are available (refer to the Price Book) | <input type="checkbox"/> NA |

Installation Notes

Install this product according to the installation guide.

ADA, CSA B651, OBC compliant when installed to the specific requirements of these regulations.



Product Diagram